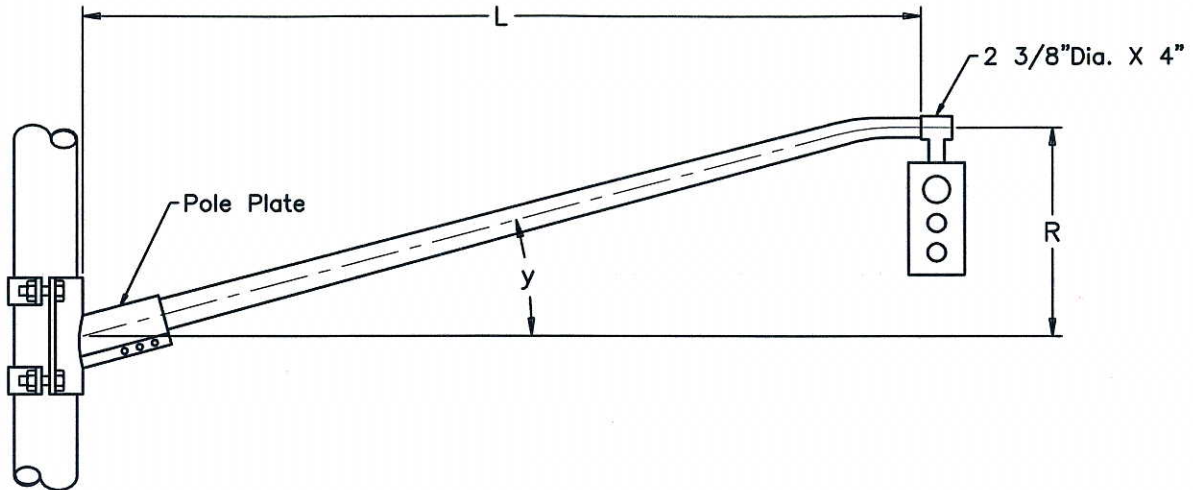


TRAFFIC SIGNAL ARMS, SINGLE MEMBER ALUMINUM

SERIES 4000, EWING TRAFFIC & LIGHTING PRODUCTS



Catalogue No.	Length (L)	Rise (R)	Angle (y)	Dia. at Base
SMA-4004	4'-0" (1.2m)	1'-9"	25°	4"
SMA-4006	6'-0" (1.8m)	2'-0"	25°	4"
SMA-4008	8'-0" (2.4m)	2'-9"	25°	4"
SMA-4010	10'-0" (3.0m)	2'-0"	15°	5"
SMA-4012	12'-0" (3.7m)	2'-9"	15°	5"
SMA-4015	15'-0" (4.6m)	3'-6"	15°	5"
SMA-4018	18'-0" (5.5m)	3'-0"	10°	6"
SMA-4020	20'-0" (6.1m)	3'-6"	10°	6"
SMA-4022	22'-0" (6.7m)	3'-9"	10°	6"
SMA-4025	25'-0" (7.6m)	3'-9"	10°	6"

Notes:

1. Aluminum Alloy 6063-T6,
2. Rotary Polish Finish,
3. Length "L" is Nominal,
4. Traffic arms "MTO" Approved, OPSS 2460, DSM 6.85.75

phone: 800-268-3524

www.ewinggroup.com,

RRR- Tapered Aluminum Traffic arms