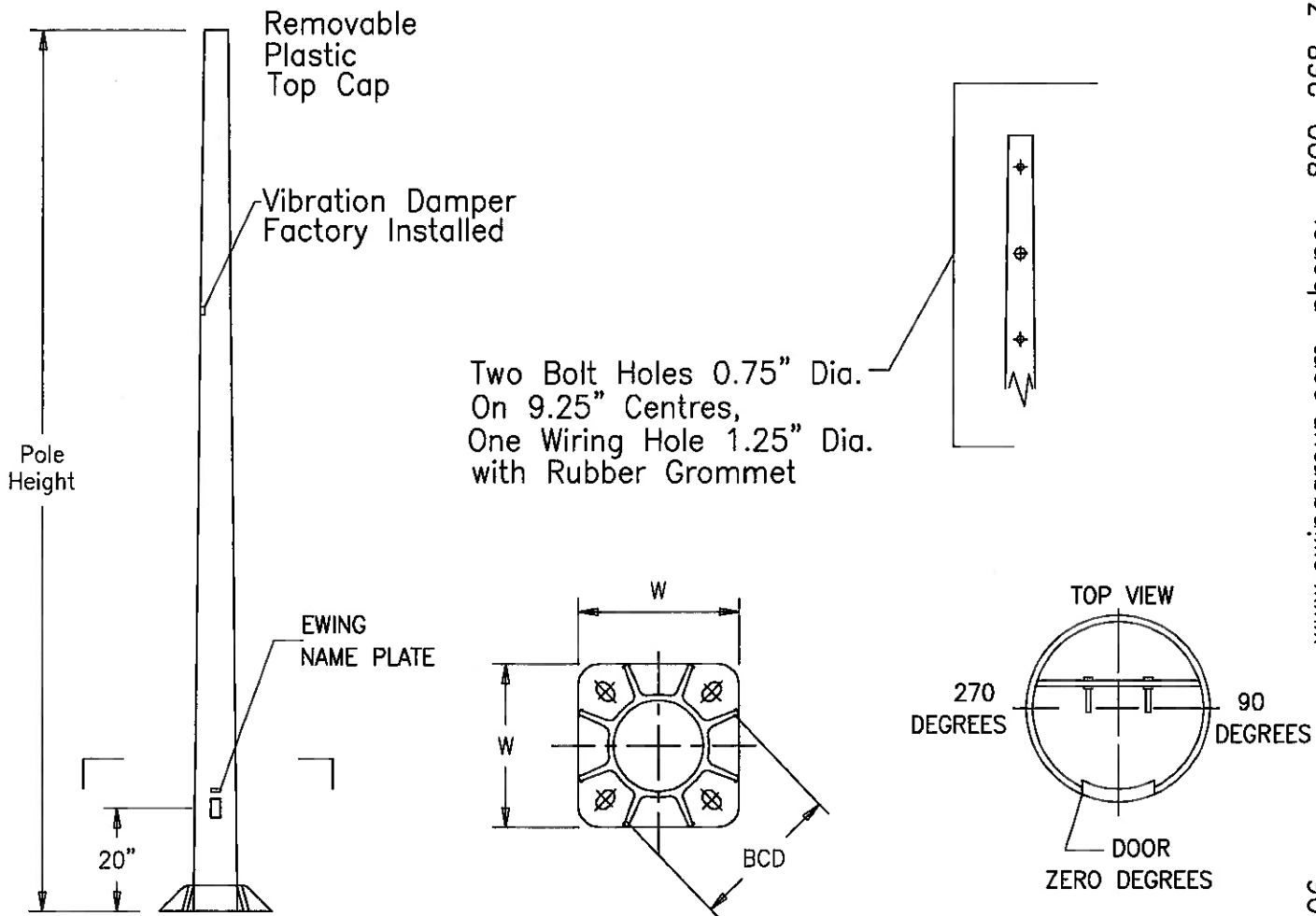


ROUND TAPERED ALUMINUM TRAFFIC POLES

Twin Arm Lighting or Combination Lighting and Traffic Pole, Ground Set



Catalog Number	Height Feet	Taper Inches	Wall Inches	Anchor Base		Anchor Bolts By Others
				BCD	W x W	
ET35-1060E-AB406	32 (9.75m)	10-5.5	0.250 (E)	15 1/2 - 16	16 x 16	1 1/4" Dia.

NOTES:

1. Shaft material Aluminum Alloy ASTM-6063,
2. Base Casting Aluminum Alloy ASTM-356,
3. Extruded/ Welded 4x7 Hand Hole, Ground Lug, Gasket and Cover,
4. Poles are Rotary Polished, Epoxy coal tar below grade, Powder Coated TBA,
5. All Poles over 30ft are Equipped with Internal Harmonic Frequency Damper,
6. Top Drilling for Elliptical Bracket(s) as specified by Customer,
7. Welded Assembly Heat-Treated to T6 temper after welding,
8. All Welding by certified welders per CSA/CWB W47.1 and W47.2,

www.ewinggroup.com, phone: 800-268-3524

BBB-RRR pole drawing ET35-1055E-AB406