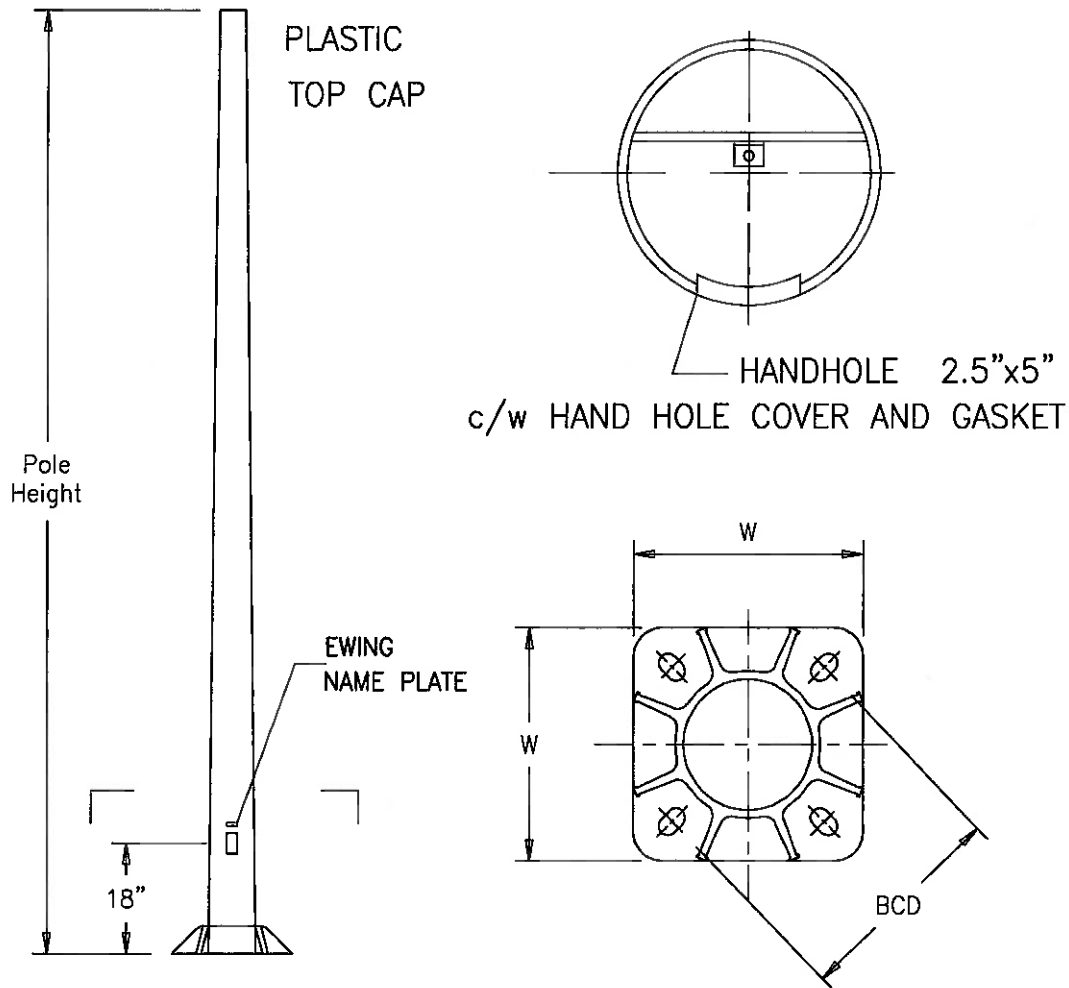


ROUND TAPERED ALUMINUM TRAFFIC POLES

Traffic Poles for "Post Top" Mounted Signals, Base Mounted



Catalog Number	Height Feet	Taper Inches	Wall Inches	Anchor Base		Anchor Bolts By Others
				BCD	W x W	
TP12-645C-AB242	12 (3.6m)	6-4.5	0.188 (C)	8.5" - 10.5"	10" x 10"	0.75"-0.875" Dia.

NOTES:

1. Pole Aluminum alloy 6063-T6, Heat Treated after welding,
2. Aluminum Base Casting Aluminum alloy 356-T6,
3. Equipped With 2.5"x5" Hand Hole c/w Ground Lug, Gasket and Cover,
4. Rotary Polish Finish,
5. All Welding is performed by certified welders and conforms to CSA / CWB W47.1 and 47.2,

www.ewinggroup.com, phone: 800-268-3524

BBBB-RRR pole drawing TP12-645C-AB242,