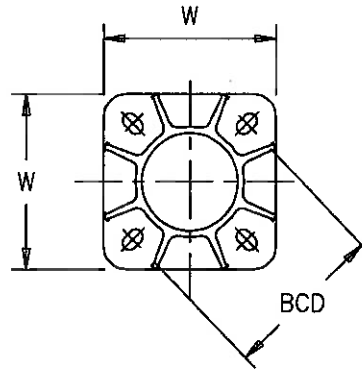
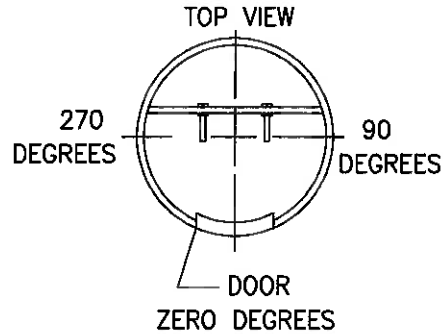
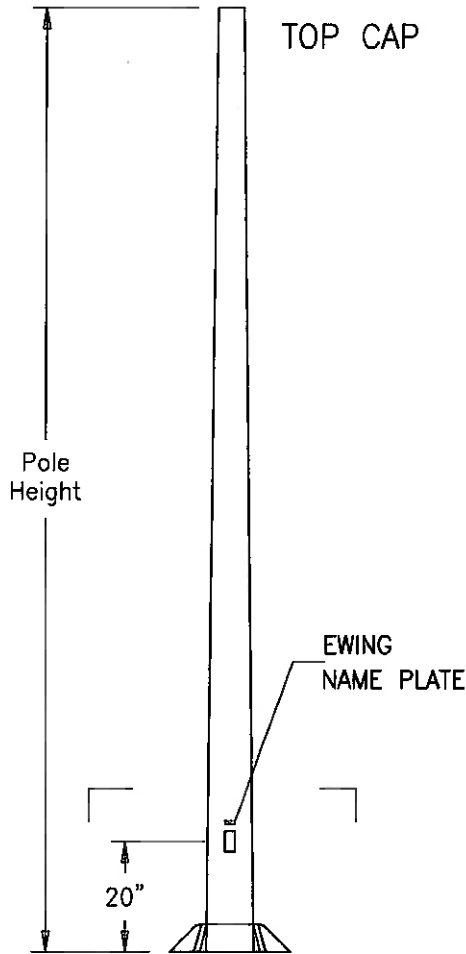


ROUND TAPERED ALUMINUM TRAFFIC POLES

Traffic Pole, Ground Set,



Catalog Number	Height Feet	Taper Inches	Wall Inches	Anchor Base		Anchor Bolts By Others
				BCD	W x W	
TP22.5-1080E-AB406	22.5 (6.86m)	10-8	.250 (E)	15 1/2 - 16	16 x 16	1 1/4" Dia.

NOTES:

1. Aluminum Alloy 6063-T6,
2. Rotary Polish Finish,
3. Extruded/ Welded 4x7 Hand Hole, Ground Lug, Gasket and Cover,
4. Aluminum Base Casting Aluminum Alloy 356-T6,
5. Top Drillings as Required by Customer,
6. All Welding is performed by certified welders and conforms to CSA / CWB W47.1 and W47.2,

www.ewinggroup.com, phone: 800-268-3524

BBBB-RRR pole drawing TP22.5-1080E-AB406