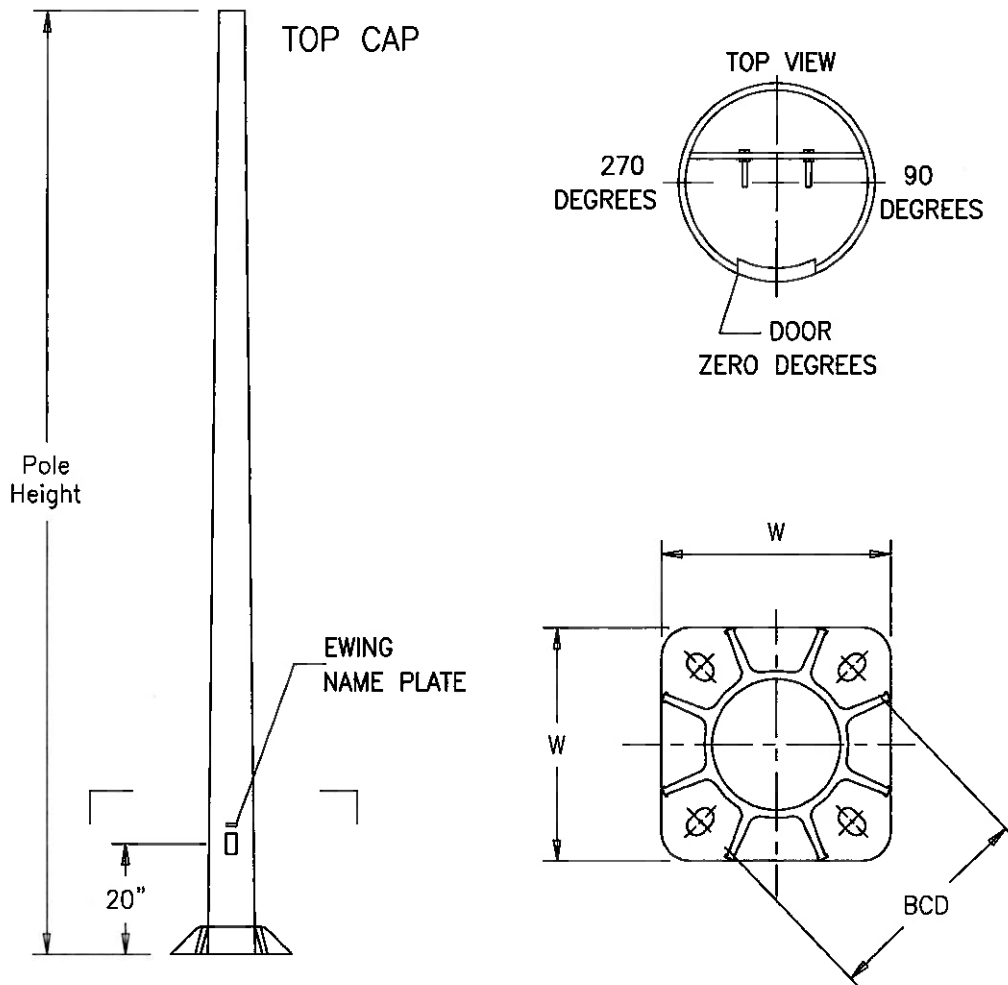


ROUND TAPERED ALUMINUM TRAFFIC POLES

Traffic Poles for "SMA" arms, Base Mounted



Catalog Number	Height Feet	Taper Inches	Wall Inches	Anchor Base		Anchor Bolts By Others
				BCD	W x W	
TP24-866C-AB406	24 (7.3m)	8-6.625	0.188 (C)	15 1/2 - 16	16 x 16	1 1/4" Dia.

NOTES:

1. Pole Aluminum alloy 6063-T6, Heat Treated after welding,
2. Aluminum Base Casting Aluminum alloy 356-T6,
3. Equipped With 4x7 Reinforced Hand Hole, Ground Lug, Gasket and Cover,
4. Rotary Polish Finish,
5. All Welding is performed by certified welders and conforms to CSA / CWB W47.1 and 47.2,

www.ewinggroup.com, phone: 800-268-3524

BBBB-RRR Traffic pole drawing TP24-866C-AB406,