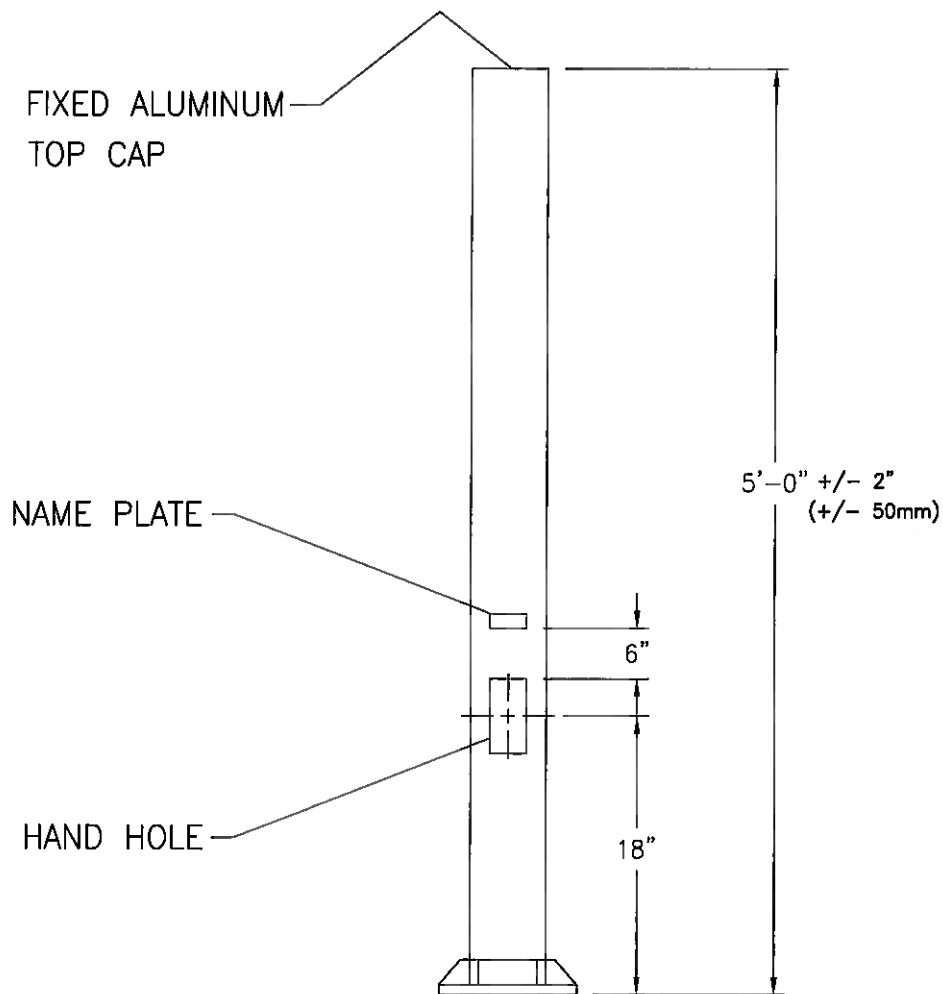


# ROUND ALUMINUM PUSH BUTTON POLES

PEDESTRIAN SIGNAL PUSH BUTTON POLE OPSD 2558.000



Catalogue No.	Pole Diameter	Height Feet	BCD
PDP-550B-AB190	5" (127mm)	5 (1.5m)	7.5" (190mm)

## NOTES:

1. Rotary Polish Finish,
2. Handhole 2.5" x 5" (65x130mm) c/w Ground Lug, Gasket and Cover,
3. Aluminum Base Casting 9" x 9" Square, BCD 7.5"  
Anchor Bolts 0.75" Dia., by others,
4. Reference OPSD 2558.000
5. All Welding is performed by certified welders  
and conforms to CSA / CWB W47.1 and W47.2,